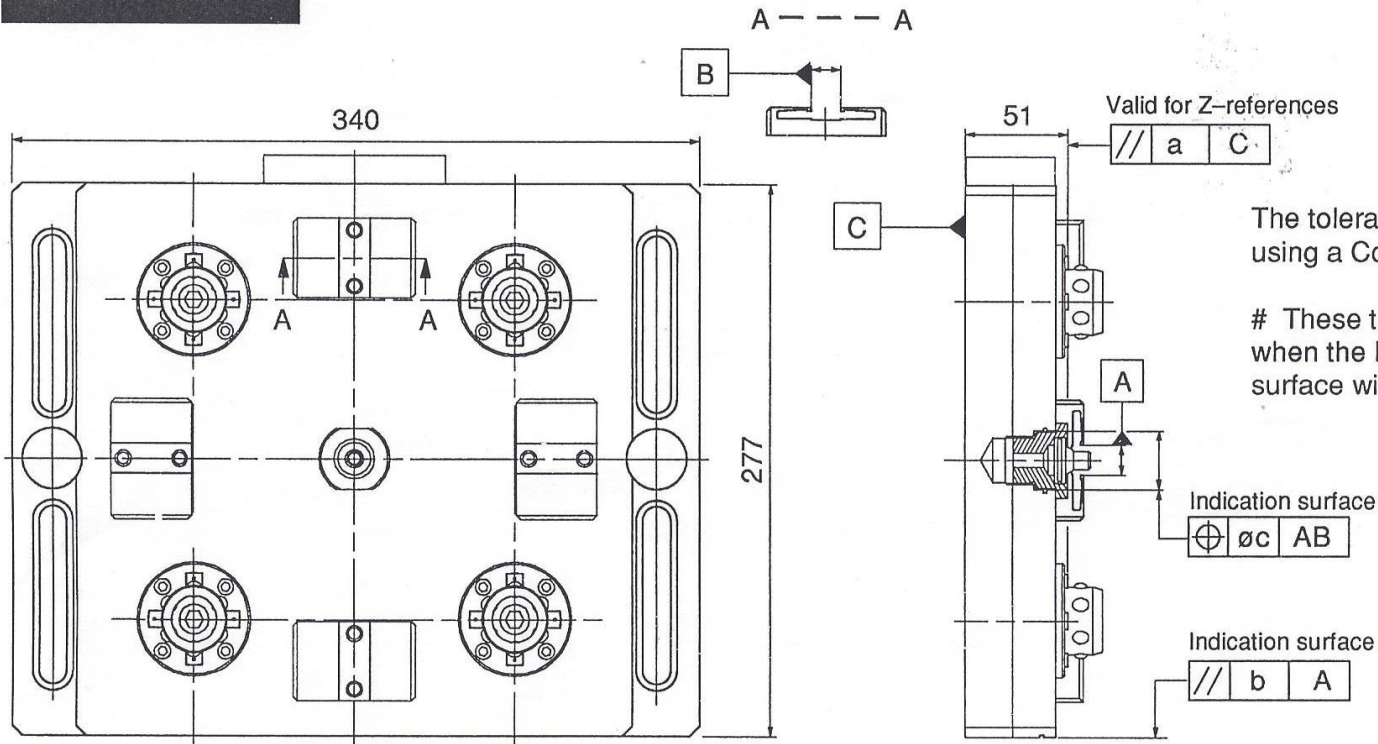


Sklíčidlo Dynafix 3R-770

Palety 280 x 280 mm - hliníková 3R-DE772-M8 2ks





The tolerance table is valid when using a Control Master

These tolerances are only valid when the Base is fixed to a flat surface with 4 clamping elements

We hereby guarantee that this product has been controlled in accordance with the technical requirements. This product is developed and manufactured according to System 3R's certified quality system which correspond to the requirements of SS-ISO 9001.

Ser.no: *9501001* Date: *1995-08-07* Sign: *Hans G. ...*

#	Tol.
a	0.005
b	0.003
c	0.003