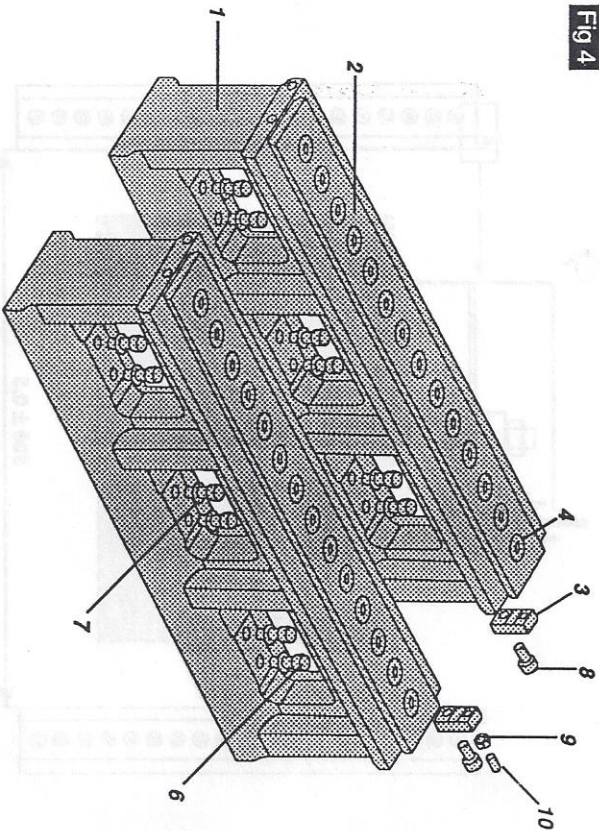
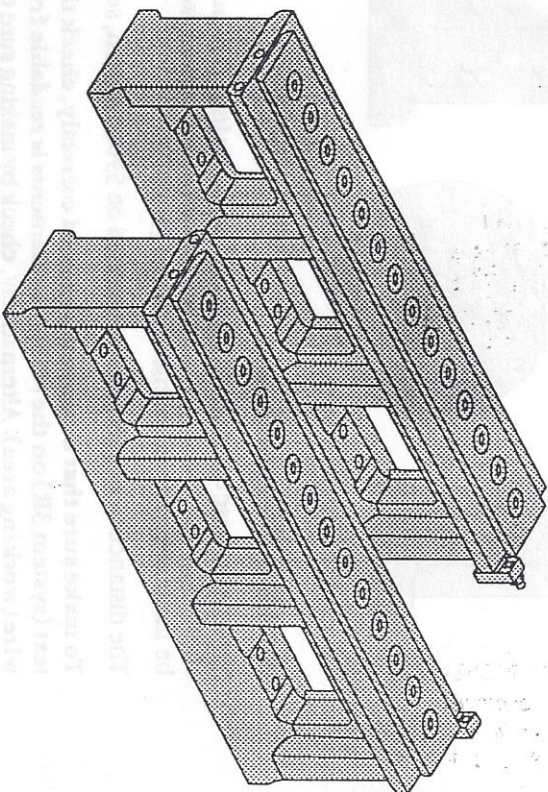


Fig 4



3R-240.3J Contents:

Pos.	Description	Article no.	Qty.
1	3Reference Base	16299-00	2
2	3Reference element	16300-00	2
3	End stop	16235-00	2
4	Screw M8	45500-S044	38
6	Screw M6	MC6S-6x40RS	12
7	Washer M6	BRB-6.4x12x1.5RS	12
8	Screw M6	MC6S-6x10RS	2
9	Locking nut M5	45500-M038	2
10	Screw M5	PeSS-5x20RS	2
Allen keys:			
	2.5 mm	45600-N038	1
	4 mm	45600-N039	1
	5 mm	45600-N040	1
	6 mm	45600-N056	1

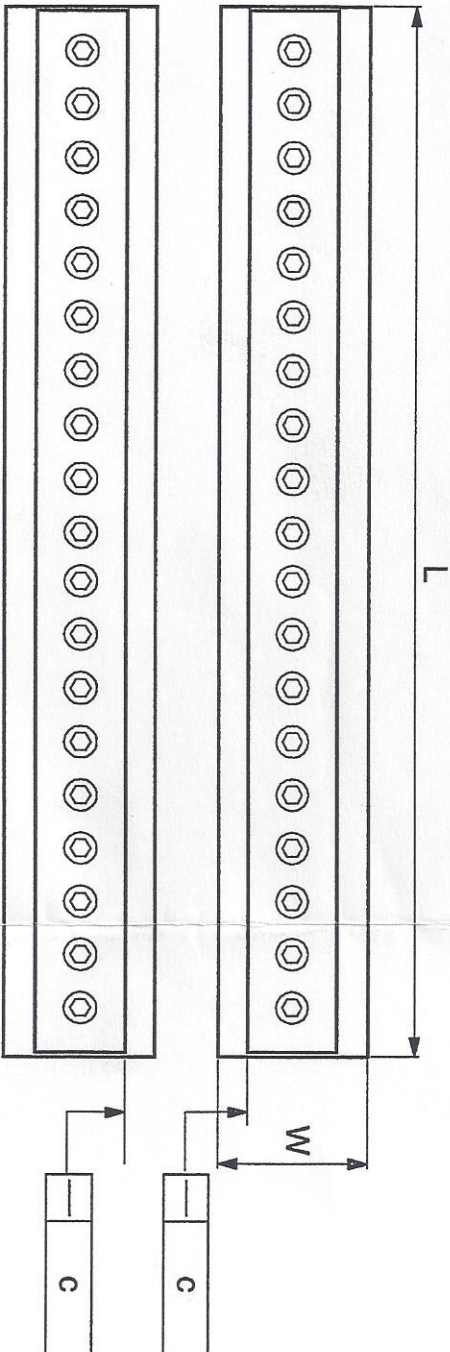
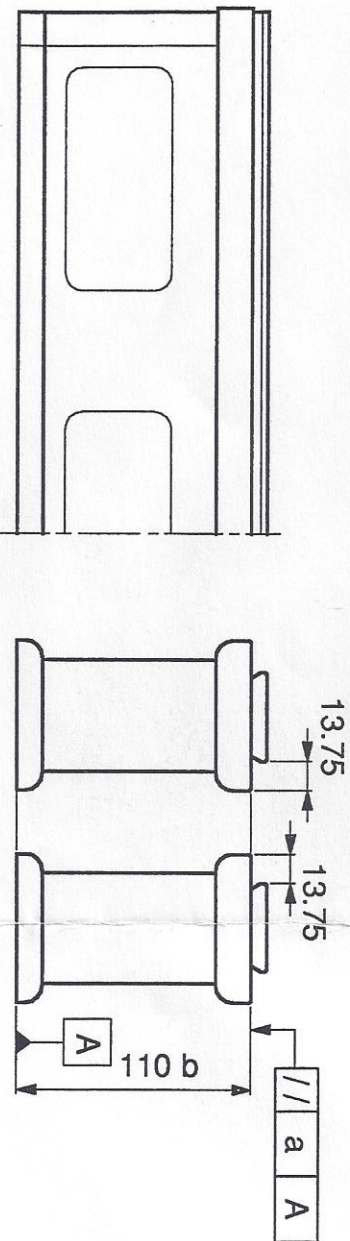


General description:

This base set comprises of two cast bases with reference elements mounted on top. The bases are designed to be mounted parallel in Charmilles Robofil 4020/4000/400 machines on factory mounted round adaptors. When mounting on T-slot adaptors 6 T-nuts (06541-00-A) and 6 M8 (MC6S-8x35RS) must additional be ordered.

- The bases are made in hardened rust protected stainless steel.
- Length x width x height = 490 x 70 x 110 mm.

Subject to modifications



Type	L	W
3R-240.2j	372	70
-240.3j	492	70
-240.4j	574	95
-240.5j	492	70

We hereby guarantee that this product has been controlled in accordance with the technical requirements. This product is developed and manufactured according to System 3R's certified quality system which correspond to the requirements of SS-ISO 9001.

Date: 1995-08-08

Sign:

	Tol.
a	0.004
b	+0 / -0.4
c	0.001 / 100